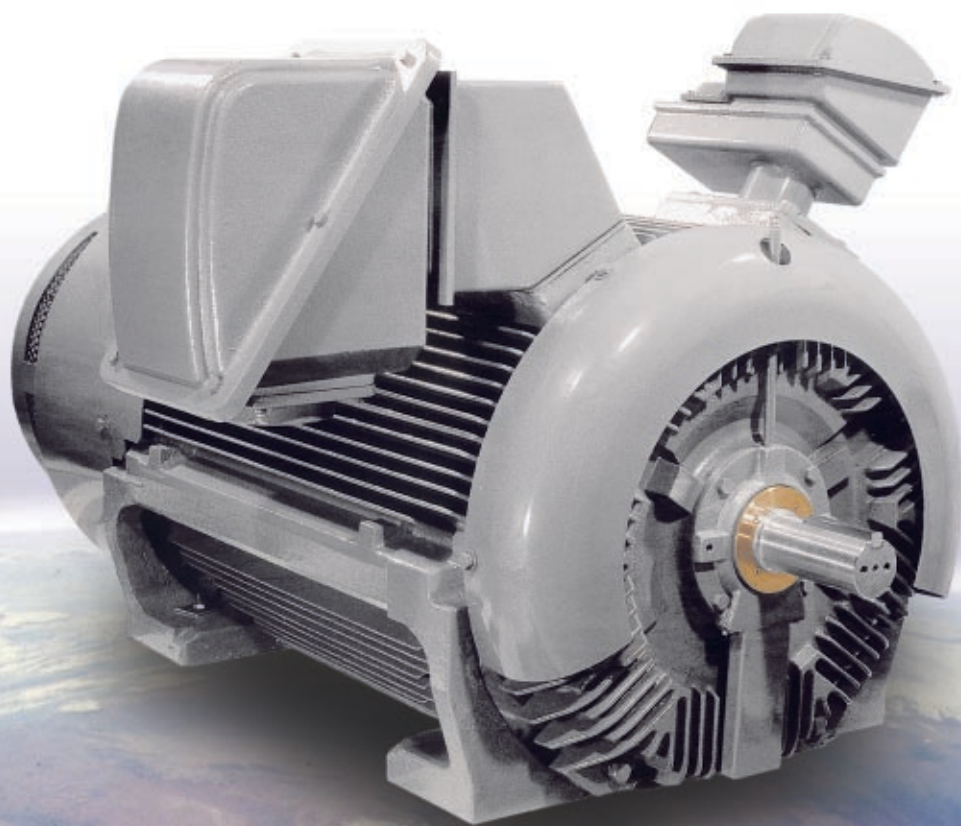


GLOBAL XPE SERIES

*Premium Efficiency Induction Motor
Totally Enclosed Fan Cooled*



 **TECO** - Westinghouse 

M O T O R C O M P A N Y

PERFORMANCE DATA (TYPE AEHGK & AEJHTK)

HP	Full Load	Frame Size	EFFICIENCY			POWER FACTOR			CURRENT		TORQUE				Rotor WR ² LB FT ²	NEMA kVA Letter	Approx Weight LBS	
			Full Load	3/4 Load	1/2 Load	Full Load	3/4 Load	1/2 Load	Full Load	Locked Rotor	Full Load LB FT	Locked Rotor %FLT	Pull Up %FLT	Break Down %FLT				
150	890	5007B	93.6	93.0	91.7	79.5	75.0	64.5	37.7	235	885	125	100	245	187	G	3600	
	200	1175	5007B	95.0	94.5	93.0	86.0	83.0	75.0	45.9	311	892	100	100	240	125	G	3550
	890	5009B	94.1	93.6	92.4	80.0	75.0	64.5	49.8	310	1180	115	100	245	224	G	4150	
250	3575	5007A	95.0	94.5	93.0	88.5	87.5	82.5	55.7	397	366	90	90	230	41	G	3200	
	1780	5007B	95.0	94.5	93.0	90.0	89.0	84.0	54.8	395	736	100	100	250	114	G	3500	
	1180	5009B	95.0	94.5	93.6	86.0	83.0	75.0	57.3	394	1110	100	100	230	143	G	4100	
	890	5009B	95.0	94.5	93.6	80.0	75.0	64.7	61.6	394	1475	115	100	245	232	G	4300	
300	3575	5009A	95.4	95.0	93.6	90.5	90.0	85.0	65.1	468	440	90	90	230	52	G	3500	
	1785	5009B	95.4	95.0	93.6	90.0	89.0	84.1	65.4	467	881	100	100	250	135	G	4000	
	1185	5009B	95.0	94.5	93.6	86.2	83.3	75.4	68.6	466	1327	100	100	230	167	G	4350	
	890	5011B	95.0	94.5	93.6	80.5	75.5	65.0	73.5	467	1770	115	100	230	255	G	4750	
350	3580	5009A	95.4	95.0	93.6	90.5	90.0	85.3	75.9	549	513	90	90	230	57	G	3800	
	1785	5009B	95.4	95.0	93.6	90.0	89.0	84.2	76.4	547	1028	100	100	250	155	G	4350	
	1185	5011B	95.0	94.5	93.6	86.3	83.4	75.5	79.9	548	1548	100	100	230	185	G	4750	
	890	5808B	95.0	94.5	93.6	81.0	75.5	67.0	85.1	547	2065	115	95	230	466	G	5100	
400	3580	5011A	95.4	95.0	93.6	91.0	90.5	85.8	86.3	627	585	90	90	230	69	G	4800	
	1785	5011B	95.4	95.0	93.6	90.0	89.0	84.2	87.2	626	1175	100	100	250	176	G	4450	
	1185	5011B	95.0	94.5	93.6	86.3	83.4	75.5	91.4	625	1769	100	100	235	209	G	4500	
	890	5808B	95.0	94.5	93.6	81.0	75.5	67.0	97.3	625	2360	115	95	230	520	G	5300	
450	3585	5011A	95.4	95.0	93.6	91.0	90.5	85.9	97.1	704	658	90	90	230	79	G	5050	
	1785	5011B	95.4	95.0	93.6	90.5	89.2	84.5	97.6	703	1322	100	100	235	194	G	4800	
	1185	5808B	95.4	95.0	93.6	86.5	83.5	75.6	102.1	703	1991	100	100	240	446	G	5300	
	890	5810B	95.0	94.5	93.6	81.5	76.0	67.5	108.8	702	2654	115	95	230	600	G	5900	
500	3585	5808A	95.4	95.1	93.6	91.0	90.5	85.9	108.0	781	731	90	90	230	112	G	4700	
	1785	5808B	95.8	95.4	93.6	90.5	89.2	84.5	108.0	780	1468	100	100	240	315	G	5000	
	1185	5810B	95.4	95.0	93.6	87.0	83.8	75.9	113.0	779	2212	100	100	235	494	G	5300	
	890	6808B	95.4	94.5	93.6	85.0	80.5	72.0	115.4	779	2950	110	100	230	802	G	7400	
600	3585	5810A	95.8	95.4	94.0	91.0	90.5	86.0	129.0	942	877	90	90	235	142	G	5950	
	1785	5810B	95.8	95.4	93.6	90.5	89.3	84.6	130.0	941	1762	100	100	240	353	G	5600	
	1185	5810B	95.4	95.0	94.1	87.0	83.9	76.0	135.4	940	2654	100	100	235	534	G	5800	
	892	6808B	95.4	95.0	94.1	85.0	80.5	72.0	139.0	940	3531	110	100	230	947	G	7900	
700	3585	5810A	96.2	95.8	94.5	91.0	90.5	86.0	150.0	1095	1023	90	90	235	161	G	6600	
	1785	5810B	95.8	95.4	93.6	90.5	89.3	84.7	151.2	1093	2056	100	100	235	384	G	5750	
	1185	6808B	95.8	95.4	94.1	87.2	84.0	76.2	157.0	1093	3097	100	100	240	982	G	7550	
	892	6808B	95.4	95.0	94.1	86.0	82.0	72.5	160.0	1092	4120	110	90	230	1065	G	8650	
800	3585	6808A	96.2	95.8	94.5	91.5	91.0	86.5	170.0	1250	1170	90	90	235	339	G	8350	
	1785	6808B	95.8	95.4	94.1	90.5	89.3	84.7	172.8	1248	2350	100	100	240	574	G	7700	
	1185	6808B	95.8	95.4	94.1	87.2	84.0	76.2	179.3	1247	3539	100	100	240	1060	G	8400	
	892	450C	95.8	95.4	94.1	87.0	83.0	75.0	180.0	1247	4708	100	90	220	1310	G	8600	
900	1785	6808B	95.8	95.4	94.1	90.5	89.3	84.7	194.4	1411	2643	100	100	240	657	G	8500	
	1190	450C	95.8	95.4	94.1	88.0	84.5	78.0	200.0	1411	3970	90	85	220	1120	G	8950	
	892	500C	95.8	95.4	94.1	87.5	83.5	77.0	201.0	1411	5297	90	85	220	1900	G	11000	
1000	1788	450C	96.2	95.8	94.5	90.0	87.0	83.0	216.0	1570	2936	80	70	220	826	G	8600	
	1192	500C	96.2	95.8	94.5	89.0	86.0	78.5	219.0	1570	4404	85	80	230	1550	G	11200	
	892	500C	95.8	95.4	94.1	87.5	84.0	77.5	223.0	1520	5885	90	85	220	2070	G	11600	
1250	1788	500C	96.2	95.8	94.5	90.0	87.0	82.0	270.0	1970	3670	75	65	230	1130	G	11000	
	1192	500C	96.2	95.8	94.5	89.5	86.5	80.0	272.0	1970	5505	80	75	220	1962	G	11600	
1500	1788	500C	96.5	96.2	95.0	90.0	87.0	81.0	323.0	2310	4404	80	70	230	1310	G	11700	
	1193	500C	96.5	96.2	95.0	89.5	87.0	80.5	325.0	2310	6601	70	65	220	2015	G	11900	
1750	1790	500C	96.5	96.2	95.0	90.0	87.0	81.0	377.0	2760	5133	80	70	230	1420	G	12600	

- NOTE:**
1. Current based on 2300V.
 2. The above are typical values based on routine tests and are not guaranteed.
 3. Data subject to change without notice.
 4. TECO Type AEHGK, 5007 to 6808 Frames; TECO Type AEJHTK, 450 to 500 Frames.
 5. 250-500 HP, 4-6 Pole, NEMA Premium™ Efficiency



As a Partner in the NEMA Premium™ Electric Motor Program, TECO-Westinghouse Motors has determined that this product meets the NEMA Premium™ Efficiency specifications for premium energy efficiency.

DIMENSIONAL DATA

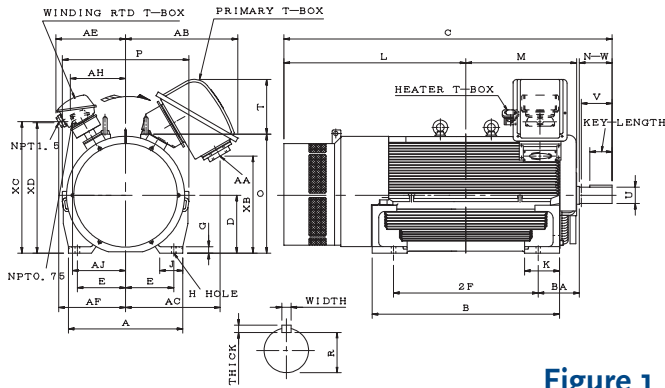


Figure 1

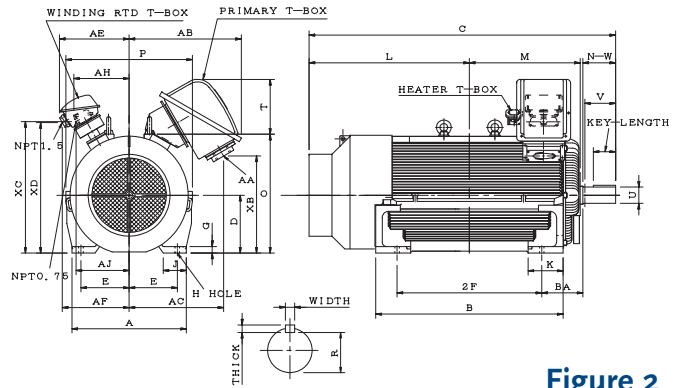


Figure 2

Frame Size	Pole	Figure No.	Mounting				A	B	C	D	G	J	K	L	M	O	P	T
			E	2F	H	BA												
5007A	2P	1	10.00	22.00	0.94	8.5	25.60	28.75	61.85	12.5	1.85	5.90	7.10	36.60	18.94	26.65	28.75	7.9
5007B	4P, 6P, 8P	2	10.00	22.00	0.94	8.5	25.60	28.75	63.77	12.5	1.85	5.90	7.10	32.65	19.15	26.65	28.75	7.9
5009A	2P	1	10.00	28.00	0.94	8.5	25.60	34.65	67.80	12.5	1.85	5.90	7.10	39.55	21.90	26.65	28.75	7.9
5009B	4P, 6P, 8P	2	10.00	28.00	0.94	8.5	25.60	34.65	69.72	12.5	1.85	5.90	7.10	35.60	22.00	26.65	28.75	7.9
5011A	2P	1	10.00	36.00	0.94	8.5	25.60	42.50	75.75	12.5	1.85	5.90	7.10	43.50	25.80	26.65	28.75	7.9
5011B	4P, 6P, 8P	2	10.00	36.00	0.94	8.5	25.60	42.50	77.67	12.5	1.85	5.90	7.10	39.55	26.00	26.65	28.75	7.9
5808A	2P	1	11.50	28.00	1.13	10.0	29.55	36.60	73.05	14.5	1.70	5.90	9.65	43.30	23.20	30.90	33.85	9.6
5808B	4P, 6P, 8P	2	11.50	28.00	1.13	10.0	29.55	36.60	73.48	14.5	1.70	5.90	9.65	37.60	23.40	30.90	33.85	9.6
5810A	2P	1	11.50	36.00	1.13	10.0	29.55	44.10	80.80	14.5	1.70	5.90	9.65	47.05	26.95	30.90	33.85	9.6
5810B	4P, 6P, 8P	2	11.50	36.00	1.13	10.0	29.55	44.10	81.23	14.5	1.70	5.90	9.65	41.35	27.20	30.90	33.85	9.6
6808A	2P	1	13.50	36.00	1.38	11.5	35.00	48.45	86.65	17.0	2.00	7.10	10.65	51.40	28.55	35.70	38.80	9.6
6808B	4P	1	13.50	36.00	1.38	11.5	35.00	48.45	90.98	17.0	2.00	7.10	10.65	49.60	28.70	35.70	38.80	9.6
6808B	6P, 8P	2	13.50	36.00	1.38	11.5	35.00	48.45	87.28	17.0	2.00	7.10	10.65	45.90	28.70	35.70	38.80	9.6
450C	4P	1	14.75	44.09	1.38	12.4	35.00	57.09	96.06	17.7	2.00	7.10	10.65	*	*	*	38.80	*
450C	6P, 8P	2	14.75	44.09	1.38	12.4	35.00	57.09	92.32	17.7	2.00	7.10	10.65	*	*	*	38.80	*
500C	4P	1	16.75	49.21	1.38	13.2	40.16	60.24	106.1	19.7	2.00	9.06	12.40	*	*	*	39.21	*
500C	6P, 8P	2	16.75	49.21	1.38	13.2	40.16	60.24	99.41	19.7	2.00	9.06	12.40	*	*	*	39.21	*

Frame Size	KEY			Winding RTD T-Box			Heater T-Box			Keyseat R	Terminal Housing				Shaft Extension			Bearings	
	Width	Thick	Length	AE	AF	XC	AH	AJ	XD		AA	AB	AC	XB	N-W	U	V	Drive End	Opposite Drive End
5007A	0.625	0.625	4.01	16.0	15.35	30.00	13.40	12.80	29.85	2.275	2.0	26.20	20.10	18.6	5.75	2.625	5.50	6315C3	6315C3
5007B	1.000	1.000	10.0	16.0	15.35	30.00	13.40	12.80	29.85	3.309	2.0	26.20	20.10	18.6	11.62	3.875	11.12	6324	6320
5009A	0.625	0.625	4.01	16.0	15.35	30.00	13.40	12.80	29.85	2.275	2.0	26.20	20.10	18.6	5.75	2.625	5.50	6315C3	6315C3
5009B	1.000	1.000	10.0	16.0	15.35	30.00	13.40	12.80	29.85	3.309	2.0	26.20	20.10	18.6	11.62	3.875	11.12	6324	6320
5011A	0.625	0.625	4.01	16.0	15.35	30.00	13.40	12.80	29.85	2.275	2.0	26.20	20.10	18.6	5.75	2.625	5.50	6315C3	6315C3
5011B	1.000	1.000	10.0	16.0	15.35	30.00	13.40	12.80	29.85	3.309	2.0	26.20	20.10	18.6	11.62	3.875	11.12	6324	6320
5808A	0.625	0.625	4.01	17.3	16.65	34.35	14.20	14.15	34.05	2.275	3.5	30.50	24.40	21.1	5.75	2.625	5.50	6315C3	6315C3
5808B	1.250	1.250	10.0	17.3	16.65	34.35	14.20	14.15	34.05	4.169	3.5	30.50	24.40	21.1	11.88	4.875	11.38	6326	6322
5810A	0.625	0.625	4.01	17.3	16.65	34.35	14.20	14.15	34.05	2.275	3.5	30.50	24.40	21.1	5.75	2.625	5.50	6315C3	6315C3
5810B	1.250	1.250	10.0	17.3	16.65	34.35	14.20	14.15	34.05	4.169	3.5	30.50	24.40	21.1	11.88	4.875	11.38	6326	6322
6808A	0.625	0.625	4.01	18.6	18.00	39.15	16.05	15.50	38.90	2.275	3.5	31.80	25.70	25.9	5.75	2.625	5.50	6315C3	6315C3
6808B	1.250	1.250	10.0	18.6	18.00	39.15	16.05	15.50	38.90	4.169	3.5	31.80	25.70	25.9	11.88	4.875	11.38	6326	6322
6808B	1.250	1.250	10.0	18.6	18.00	39.15	16.05	15.50	38.90	4.169	3.5	31.80	25.70	25.9	11.88	4.875	11.38	6326	6322
450C	1.100	.630	6.30	*	*	*	*	*	*	3.937	5.0	31.80	25.70	26.4	8.27	4.330	7.76	6324	6322
450C	1.100	.630	6.30	*	*	*	*	*	*	3.937	5.0	31.80	25.70	26.4	8.27	4.330	7.76	6324	6322
500C	1.260	.709	6.30	*	*	*	*	*	*	4.488	5.0	32.36	26.26	24.5	8.27	4.920	7.76	6326	6324
500C	1.260	.709	6.30	*	*	*	*	*	*	4.488	5.0	32.36	26.26	24.5	8.27	4.920	7.76	6326	6324

- NOTE:**
1. Dimension D tolerance: +0.00 inch, -0.06 inch
 2. Dimension U tolerance: +0.000 inch, -0.001 inch
 3. Dimension R tolerance: +0.000 inch, -0.015 inch
 4. Dimension V is the length of the straight part of the shaft.
 5. With 120V space heater & 2/phase 100 Ω platinum winding RTD's.
 6. Belt drives on B & C frame motors can be modified by changing drive end ball bearings with roller bearings and reviewing the pulley dimensions.

* Contact your TECO-Westinghouse representative for more information.

RATINGS AND STANDARDS

**Power Supply:**

AC, Three phase, 60Hz available for 2300V/4160V systems.

Output Range:

Range from 150-1750HP. **

Speed Range:

3600-900RPM.

Enclosure:

Available in TEFC (IP55) enclosure.

Duty Rating:

Continuous rating with 1.15 service factor.

Performance:

All Global Series motors are designed to meet or exceed NEMA Design B torque requirements.

** Stock up to 700 HP. Contact TECO-Westinghouse for ratings up to 1750HP.

GLOBAL XPE
SERIES

WORLD CLASS
PERFORMER

For more than a century, TECO-Westinghouse motors have been recognized as industry leaders in dependability and quality. Our newly improved and expanded **Global XPE Series** line continues to provide the high quality and reliability that you have come to expect from TECO-Westinghouse. The **Global XPE Series** have been designed and built for the the most demanding applications in the industry. Standard features include cast iron construction, copper bar rotor, 100 ohm platinum stator RTD's and 120 Volt space heater. Stock available up to 700HP; for larger horsepower up to 1750HP, please contact your nearest TECO-Westinghouse representative.

USA

5100 N. IH 35

Round Rock, Texas 78681

Toll Free: 1-800-451-8798

Phone: 1-512-255-4141

Fax: 1-512-244-5512

www.tecowestinghouse.com



TECO-Westinghouse



MOTOR COMPANY

CANADA

18060-109 Avenue

Edmonton, Alberta T5S 2K2

West: 1-800-661-4023

East: 1-800-268-4770

Fax: 1-888-873-8964

www.twmi.com