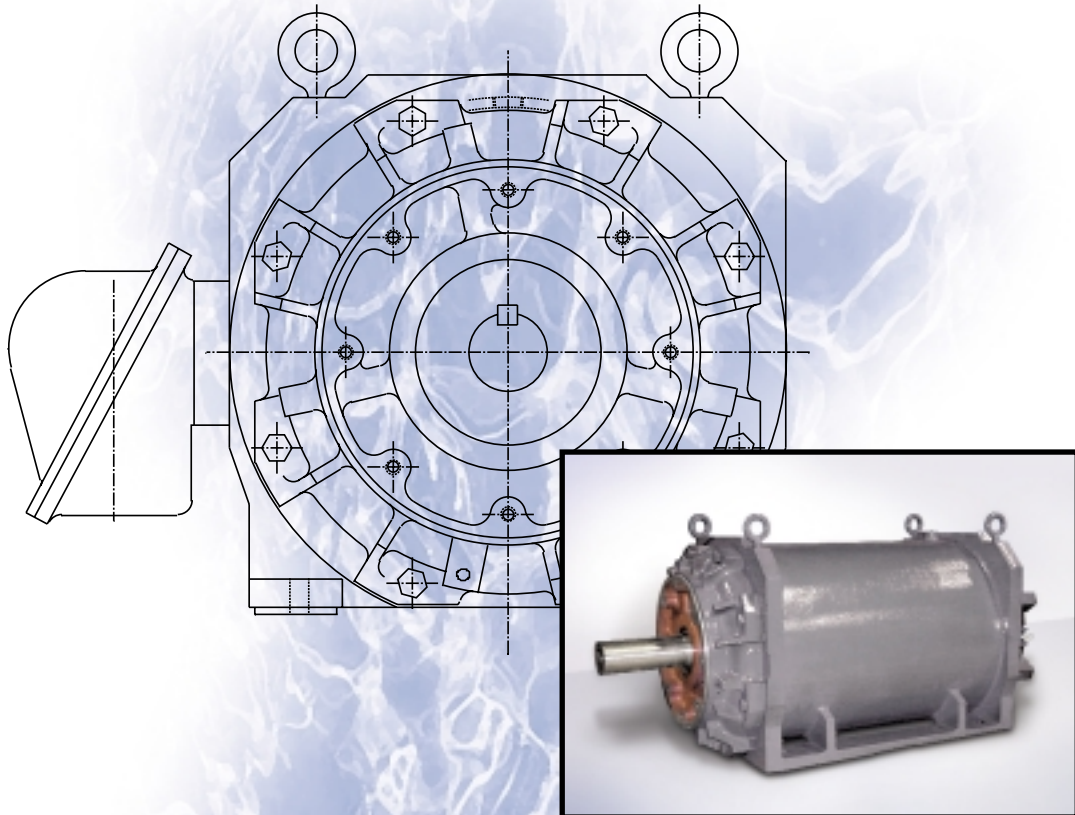


# WATER-COOLED SEVERE DUTY



## Standard Features

- 75 to 800 HP
- Up to 3600 RPM
- Up to 5000 Volts
- F1 or F2 Mounting
- Nema design A or B
- Flange mounting on one or both ends with feet or without feet
- Side mounted cast conduit box which can be rotated in 90° steps
- Frame is high-strength steel construction
- End bells are cast iron construction
- Random or form wound coils to suit voltage required
- Class H insulation for random wound motors (<1000 volts)
- Epoxy sealed (VPI) insulation systems for high voltage (>1000 Volts)
- Standard 1.15 service factor for high overloads
- Speed-torque characteristics ideal for fluid coupling applications
- Designed for frequent starts
- High efficiency and P.F.
- Copper rotor construction
- Labyrinth seals
- Water inlet and outlet connection can be positioned to suit customer requirement
- 3 year warranty

## Options

- Cable glands or quick disconnect plug
- RTD's for overload protection
- Inpro/seals
- Extended warranty
- End mounted conduit box



## The Water-Cooled Advantage

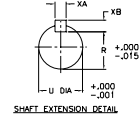
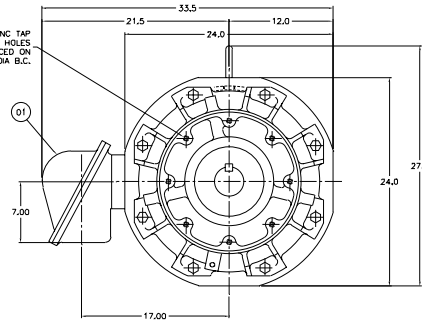
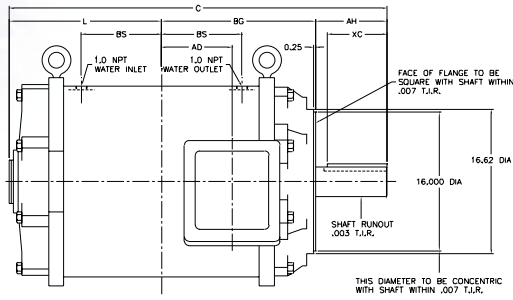
TECO-Westinghouse Water-Cooled Motors are an ideal choice for use with mining applications, tunnel-boring machines and die-cast molding presses. To better withstand these severe duty applications, the motors feature a rugged fabricated steel frame construction with cast-iron end bells and conduit boxes. Their advanced design makes them well suited for environments that may have high ambient temperatures, provide minimal space for motor operations, or require low noise.

These Water-Cooled Motors feature high quality copper rotor construction. Copper is the time-proven choice for rotor design because it provides maximum performance and reliability.

High efficiency ratings ensure life-cycle savings. For high thermal endurance, Class H insulation is utilized.

TECO-Westinghouse Water-Cooled Motors are CSA approved for hazardous applications and feature a 3 year warranty.

# DIMENSIONS



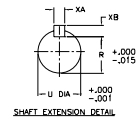
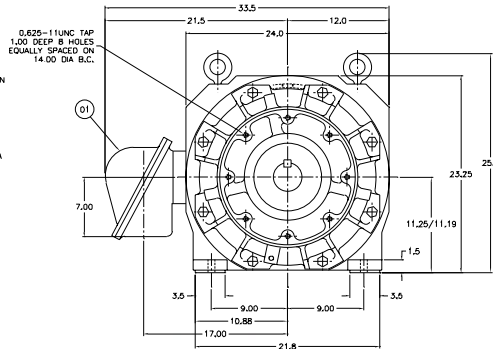
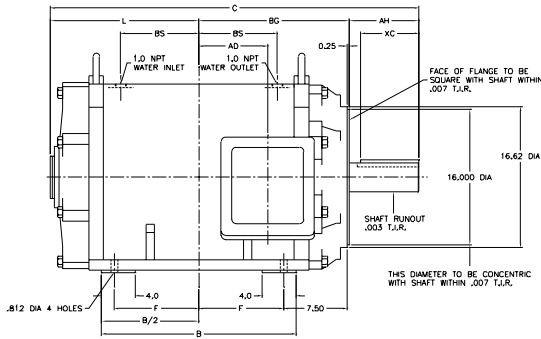
**NOTES:**

- A. This outline is not to be regarded as indicating the exact details of construction. It is properly dimensioned for erection purposes only.
- B. Mounting bolts are not supplied.
- C. Anti-friction bearings must be regreased while motor is running.

01 MAIN CONDUIT BOX - CAST IRON EXPLOSION PROOF CONSTRUCTION C/W GROUND LUG. MAIN LEADS MARKED T1, T2, T3. BOTTOM ENTRY 2.50 NPT. BOX MAY BE ROTATED IN 90° INCREMENTS.

## C-FLANGE MOUNTING NO FEET

FRAME SIZE	REAR SHAFT EXTENSION						C	L	AD	BG	BS	APPROX. WEIGHT
	U	XA	XB	XC	AH	R						
455T	3.375	0.875	0.875	6.88	8.25	2.880	40.0	15.8	6.37	16.00	7.50	2000 LB.
455TSC	2.375	0.625	0.625	3.00	4.50	2.021	36.3	15.8	6.37	16.00	7.50	2000 LB.
457TC	3.375	0.875	0.875	6.88	8.25	2.880	43.5	17.5	8.12	17.75	9.25	2400 LB.
457TSC	2.375	0.625	0.625	3.00	4.50	2.021	39.8	17.5	8.12	17.75	9.25	2400 LB.
459TC	3.375	0.875	0.875	6.88	8.25	2.880	48.5	20.0	10.62	20.25	11.75	3000 LB.
459TSC	2.375	0.625	0.625	3.00	4.50	2.021	44.8	20.0	10.62	20.25	11.75	3000 LB.



**NOTES:**

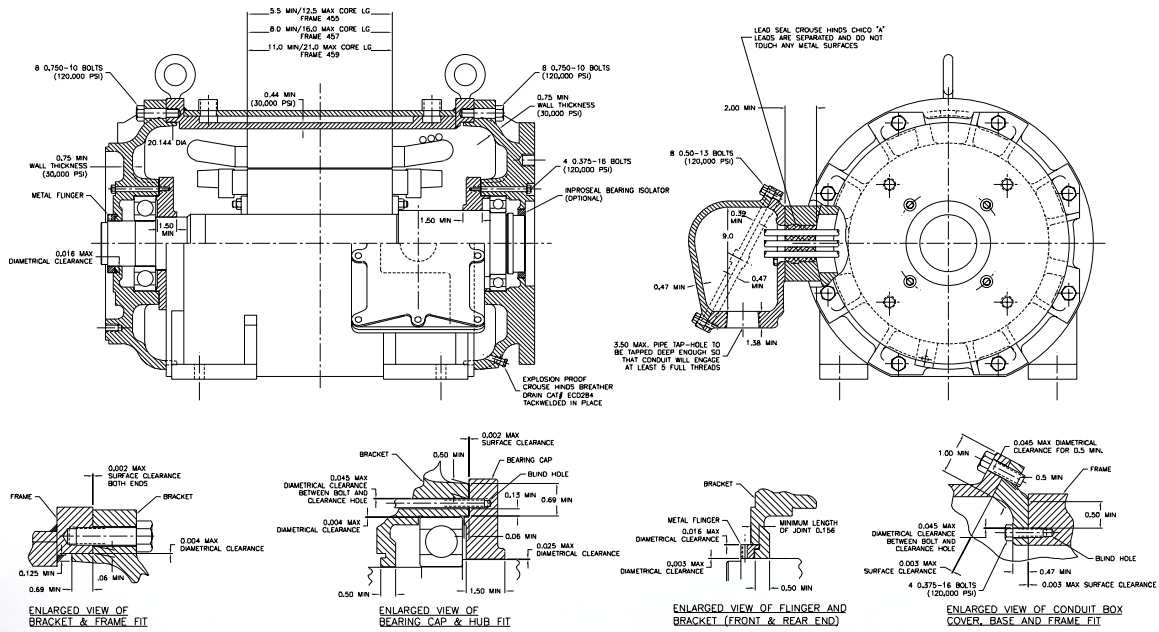
- A. This outline is not to be regarded as indicating the exact details of construction. It is properly dimensioned for erection purposes only.
- B. Each foot must be mounted on a base equal to or larger than the pad area.
- C. Mounting bolts, dowels & shims are not supplied.
- D. Anti-friction bearings must be regreased while motor is running.

01 MAIN CONDUIT BOX - CAST IRON EXPLOSION PROOF CONSTRUCTION C/W GROUND LUG. MAIN LEADS MARKED T1, T2, T3. BOTTOM ENTRY 2.50 NPT. BOX MAY BE ROTATED IN 90° INCREMENTS.

## FOOT MOUNTED WITH C-FLANGE ON DRIVE END

FRAME SIZE	REAR SHAFT EXTENSION						C	L	AD	BG	BS	APPROX. WEIGHT
	U	XA	XB	XC	AH	R						
455T	3.375	0.875	0.875	6.88	8.25	2.880	40.0	15.8	6.37	16.00	7.50	2000 LB.
455TSC	2.375	0.625	0.625	3.00	4.50	2.021	36.3	15.8	6.37	16.00	7.50	2000 LB.
457TC	3.375	0.875	0.875	6.88	8.25	2.880	43.5	17.5	8.12	17.75	9.25	2400 LB.
457TSC	2.375	0.625	0.625	3.00	4.50	2.021	39.8	17.5	8.12	17.75	9.25	2400 LB.
459TC	3.375	0.875	0.875	6.88	8.25	2.880	48.5	20.0	10.62	20.25	11.75	3000 LB.
459TSC	2.375	0.625	0.625	3.00	4.50	2.021	44.8	20.0	10.62	20.25	11.75	3000 LB.

# WATER-COOLED OUTLINE DRAWING



## FRAME STEP CHART

HP	460/575V	2300V	4000V	460/575V	2300V	4000V	460V/575V	2300V	4000V
	3600 RPM			1800 RPM			1200 RPM		
75	ET375	*	*	ET375	*	*	ET375	*	*
100	ET415	*	*	ET375	*	*	ET375	*	*
125	ET415	ET457	ET459	ET375	ET455	ET455	ET375	ET455	ET457
150	ET415	ET457	ET459	ET415	ET457	ET457	ET415	ET457	ET459
200	ET455	ET459	ET459	ET415	ET457	ET459	ET415	ET459	ET459
250	ET457	ET516	ET516	ET455	ET459	ET459	ET455	ET459	ET459
300	ET459	ET519	ET519	ET457	ET459	ET459	ET457	ET516	ET516
350	ET459	ET519	*	ET459	ET516	ET516	ET459	ET516	ET519
400	ET516	*	*	ET459	ET516	ET519	ET459	ET519	ET519
450	ET519	*	*	ET516	ET519	ET519	ET516	ET519	ET519
500	*	*	*	ET516	ET519	ET519	ET516	ET519	*
600	*	*	*	ET519	ET519	*	ET519	*	*
700	*	*	*	ET519	*	*	ET519	*	*
800	*	*	*	ET519	*	*	ET519	*	*

\* Contact TECO-Westinghouse for these ratings and for slower speed motors (less than or equal to 900 RPM)

Manufactured By:



Distributed By:



USA  
 P.O. Box 277 (78680-0277)  
 5100 N. IH 35  
 Round Rock, Texas 78681  
 1-800-451-8798

YOUR INDUSTRIAL SOLUTIONS  
**POWERHOUSE**  
 www.tecowestinghouse.com

CANADA  
 18060-109 Avenue  
 Edmonton, Alberta T5S 2K2  
 West: 1-800-661-4023  
 East: 1-800-268-4770